

NATIONAL RADIO ASTRONOMY OBSERVATORY
P. O. Box 0
Socorro, New Mexico

VLA Electronics Memeorandum No. 204

1.3 AND 2 cm FREQUENCY CHARTS

PAUL LILIE
OCTOBER 1981

1.3 AND 2 cm FREQUENCY CHARTS

Frequency charts have been drawn up for the 1.3 and 2 cm bands. These charts show the relationship of 'sky' frequencies to L6 and F3 settings. VLA standard observing frequencies and frequencies of known spurious signals are also plotted.

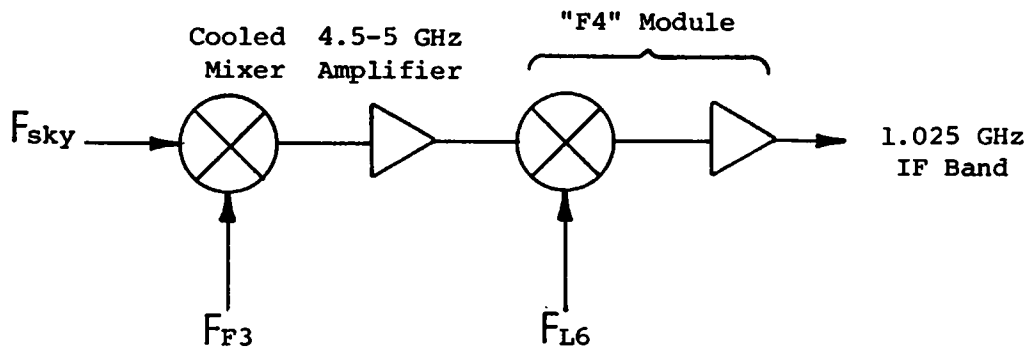
The charts plot the relationships;

$$F_{\text{sky}} = F_{F3} + F_{L6} + 1.025 \text{ GHz for the 1.3 cm band}$$

and

$$F_{\text{sky}} = F_{F3} - F_{L6} - 1.025 \text{ GHz for the 2 cm band}$$

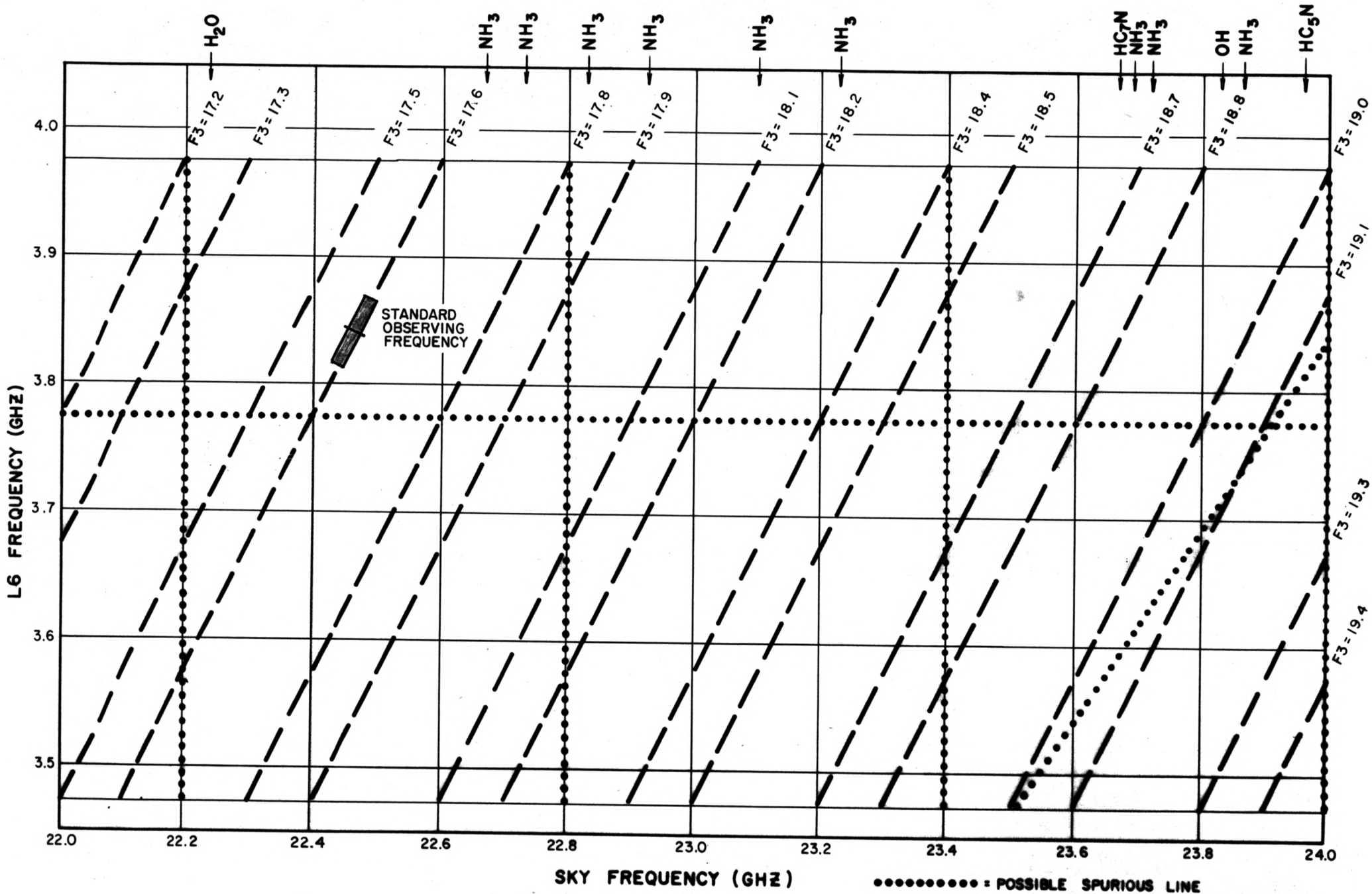
where F_{sky} is the frequency appearing of the center of the IF band. The following block diagram applies to either band.



Valid F3 frequencies are shown as diagonal lines across the charts. Note that a desired sky frequency can be obtained by at least 3 different combinations of F3 and L6 frequencies.

PL/ev
10/05/81

1.3 cm - BAND FREQUENCY CHART



2cm BAND FREQUENCY CHART

