

Interoffice

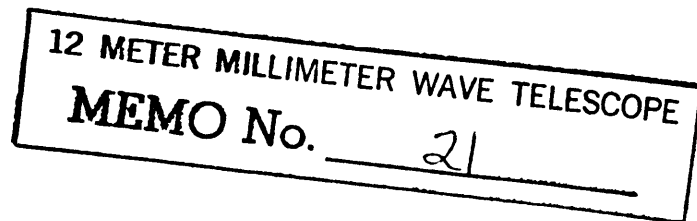
National Radio Astronomy Observatory  
Charlottesville, Virginia

April 22, 1981

To: 12m Working Group

From: H. Hvatum

Subject: PERT



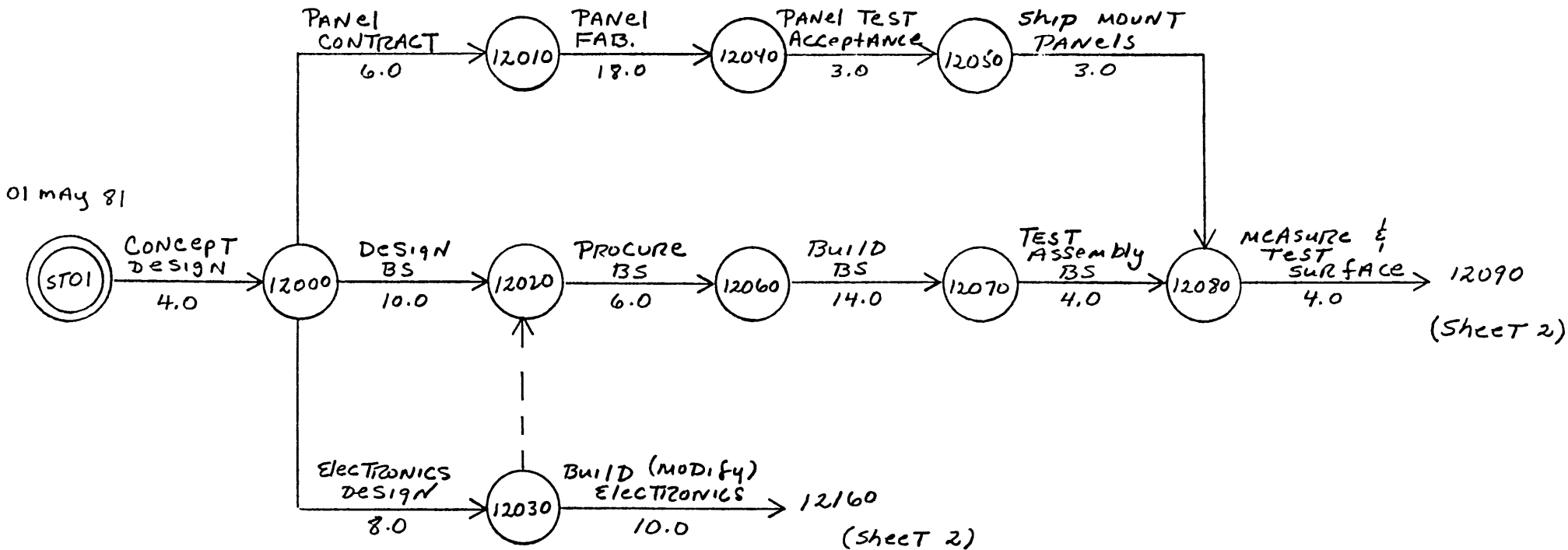
This is a first attempt to set up a schedule for the 12m work. I have checked the times (in weeks) of various activities with Bill Horne but not with anyone else. We shall discuss it at our next meeting, Tuesday, 1981 April 28, 1400 EDT.

Attachments

12 M ANTENNA

BS = BACK-UP STRUCTURE

4/22/81



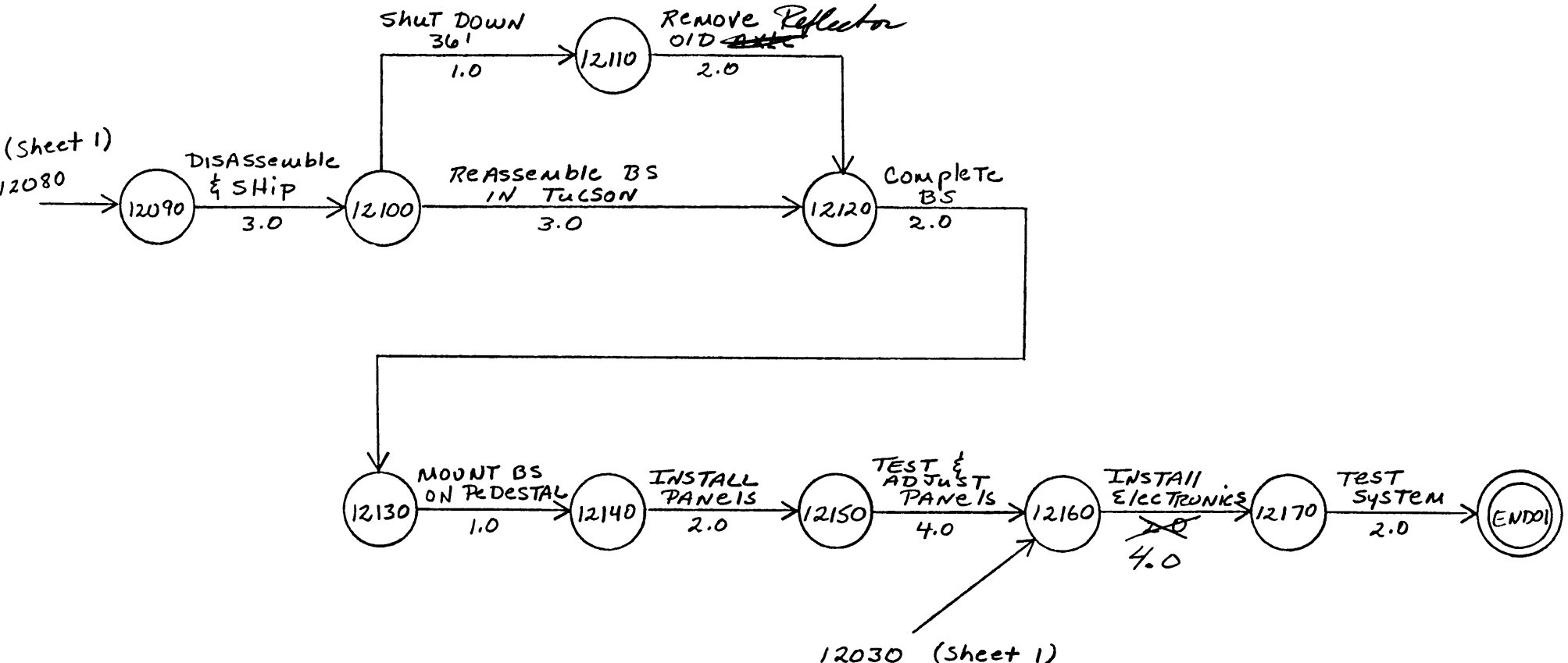
Sheet 1 of 2

REV: 0

12 M ANTENNA

BS = BACK-UP STRUCTURE

4/22/81



NATIONAL RADIO ASTRONOMY OBSERVATORY  
ACTIVITY TIME STATUS REPORT

PAGE 1

PROGRAM 22APR81 REPORT DATE. 12M TELESCOPE PROJECT.  
PROJECT 12M ANTENNA UPGRADING PROJECT.

12M001  
ANT012

RUN DATE 22APR81

LEVEL DETAIL

SORTED BY PRED,SUCC

PRED EVENT	SUCC EVENT	CY. CD.	ACTIVITY DESCRIPTICN	TIME EST	SLACK PRIM. SEC.	EARLY START	DATES FINISH	LATE START	DATES FINISH	DEPT SCHED.
	ST01 S		BEGIN		.0	A01MAY81	A01MAY81	01MAY81	01MAY81	
	ST01 12000		CONCEPT DESIGN	04.0	.0	A01MAY81	29MAY81	01MAY81	29MAY81	
END01		E			.0	12JUL82	12JUL82	12JUL82	12JUL82	
12000	12010		PANEL CONTRACT	06.0	4.0	29MAY81	10JUL81	26JUN81	07AUG81	
12000	12020		DESIGN BS	10.0	.0	29MAY81	07AUG81	29MAY81	07AUG81	
12000	12030		ELECTRONICS DESIGN	08.0	2.0	29MAY81	24JUL81	12JUN81	07AUG81	
12010	12040		PANEL FAB	18.0	4.0	10JUL81	16NOV81	07AUG81	15DEC81	
12020	12060		PROCURE BS	06.0	.0	07AUG81	21SEP81	07AUG81	21SEP81	
12030	12020		DUMMY	0000	2.0	24JUL81	24JUL81	07AUG81	07AUG81	
12030	12160		BUILD-MODIFY ELECTRONICS	10.0	35.0	24JUL81	05OCT81	05APR82	14JUN82	
12040	12050		PANEL TEST ACCEPTANCE	03.0	4.0	16NOV81	08DEC81	15DEC81	07JAN82	
12050	12080		SHIP MOUNT PANELS	03.0	4.0	08DEC81	30DEC81	07JAN82	28JAN82	
12060	12070		BUILD BS	14.0	.0	21SEP81	30DEC81	21SEP81	30DEC81	
12070	12080		TEST ASSEMBLY BS	04.0	.0	30DEC81	28JAN82	30DEC81	28JAN82	
12080	12090		MEASURE & TEST SURFACE	04.0	.0	28JAN82	01MAR82	28JAN82	01MAR82	
12090	12100		DISASSEMBLE & SHIP	03.0	.0	01MAR82	22MAR82	01MAR82	22MAR82	
12100	12110		SHUT DOWN 36FT	01.0	.0	22MAR82	29MAR82	22MAR82	29MAR82	
12100	12120		REASSEMBLE BS - TUCSON	03.0	.0	22MAR82	12APR82	22MAR82	12APR82	
12110	12120		REMOVE OLD AXLE	02.0	.0	29MAR82	12APR82	29MAR82	12APR82	
12120	12130		COMPLETE BS	02.0	.0	12APR82	26APR82	12APR82	26APR82	
12130	12140		MOUNT BS ON PEDESTAL	01.0	.0	26APR82	03MAY82	26APR82	03MAY82	
12140	12150		INSTALL PANELS	02.0	.0	03MAY82	17MAY82	03MAY82	17MAY82	
12150	12160		TEST & ADJUST PANELS	04.0	.0	17MAY82	14JUN82	17MAY82	14JUN82	
12160	12170		INSTALL ELECTRONICS	02.0	.0	14JUN82	28JUN82	14JUN82	28JUN82	
12170	END01		TEST SYSTEM	02.0	.0	28JUN82	12JUL82	28JUN82	12JUL82	

NATIONAL RADIO ASTRONOMY OBSERVATORY  
ACTIVITY BAR CHART

PROGRAM 22APR81 REPORT DATE. 12M TELESCOPE PROJECT.  
PROJECT 12M ANTENNA UPGRADING PROJECT.

12M001  
ANT012

RUN DATE 22APR81

PRED EVENT	SUCC EVENT	CY CD	DESCRIPTION	A - ACTIVITY COMPLETE * - ACTIVITY DURATION	P - PACING ITEM - - ACTIVITY FLOAT	FINAL DATE	DEPT		
ST01	12000		CONCEPT DESIGN	: : PPPP	.	29MAY81			
12000	12010		PANEL CONTRACT	: : *****--	.	10JUL81			
12000	12020		DESIGN BS	: : PPPPPPPPPP	.	07AUG81			
12000	12030		ELECTRONICS DESIGN	: : *****--	.	24JUL81			
12010	12040		PANEL FAB	: : *****--	.	16NOV81			
12020	12060		PROCURE BS	: : PPPPPPP	.	21SEP81			
12030	12160		BUILD-MODIFY ELECTRONICS	: : *****--	.	05OCT81			
12040	12050		PANEL TEST ACCEPTANCE	: :	: : ***----	08DEC81			
12050	12080		SHIP MOUNT PANELS	: :	: : ****----	30DEC81			
12060	12070		BUILD BS	: : PPPPPPPPPPPPPP	.	30DEC81			
12070	12080		TEST ASSEMBLY BS	: :	: : PPPPP	28JAN82			
12080	12090		MEASURE & TEST SURFACE	: :	: : PPPPPPP	01MAR82			
12090	12100		DISASSEMBLE & SHIP	: :	: : PPP	22MAR82			
12100	12110		SHUT DOWN 36FT	: :	: : PP	29MAR82			
12100	12120		REASSEMBLE BS - TUCSON	: :	: : PPPP	12APR82			
12110	12120		REMOVE OLD AXLE	: :	: : PPP	12APR82			
12120	12130		COMPLETE BS	: :	: : .PPP	26APR82			
12130	12140		MOUNT BS ON PEDESTAL	: :	: : PP	03MAY82			
12140	12150		INSTALL PANELS	: :	: : PPP	17MAY82			
12150	12160		TEST & ADJUST PANELS	: :	: : PPPP	14JUN82			
12160	12170		INSTALL ELECTRONICS	: :	: : PPP	28JUN82			
				01JUL81	01OCT81	01JAN82	01APR82	01JUL82	01OCT82