

Interoffice

NATIONAL RADIO ASTRONOMY OBSERVATORY
TUCSON, ARIZONA

May 12, 1981

To: J. Payne
From: D. Ross
Subject: Ammendment to 12 meter Memo #22



We have determined, after discussions with Bill Horne, that the distance between the pedestal mounting plate and the surface of a 12 meter antenna will be approximately 4 feet. (Fig. #1)

If we assume that (1) the pedestal remains at its present height above the floor, (2) the back-up structure does not interfere with the pedestal, and (3) the existing buildings are modified as shown in Fig. #2, we could observe at an elevation limit of 6° for all azimuth positions.

Modification to the existing buildings as shown in Fig. #2 would allow us to leave the console and equipment racks in the same position as they are now with virtually no loss in floor space. Modification to the electrical system would be minimal, however, cable routing would have to be changed.

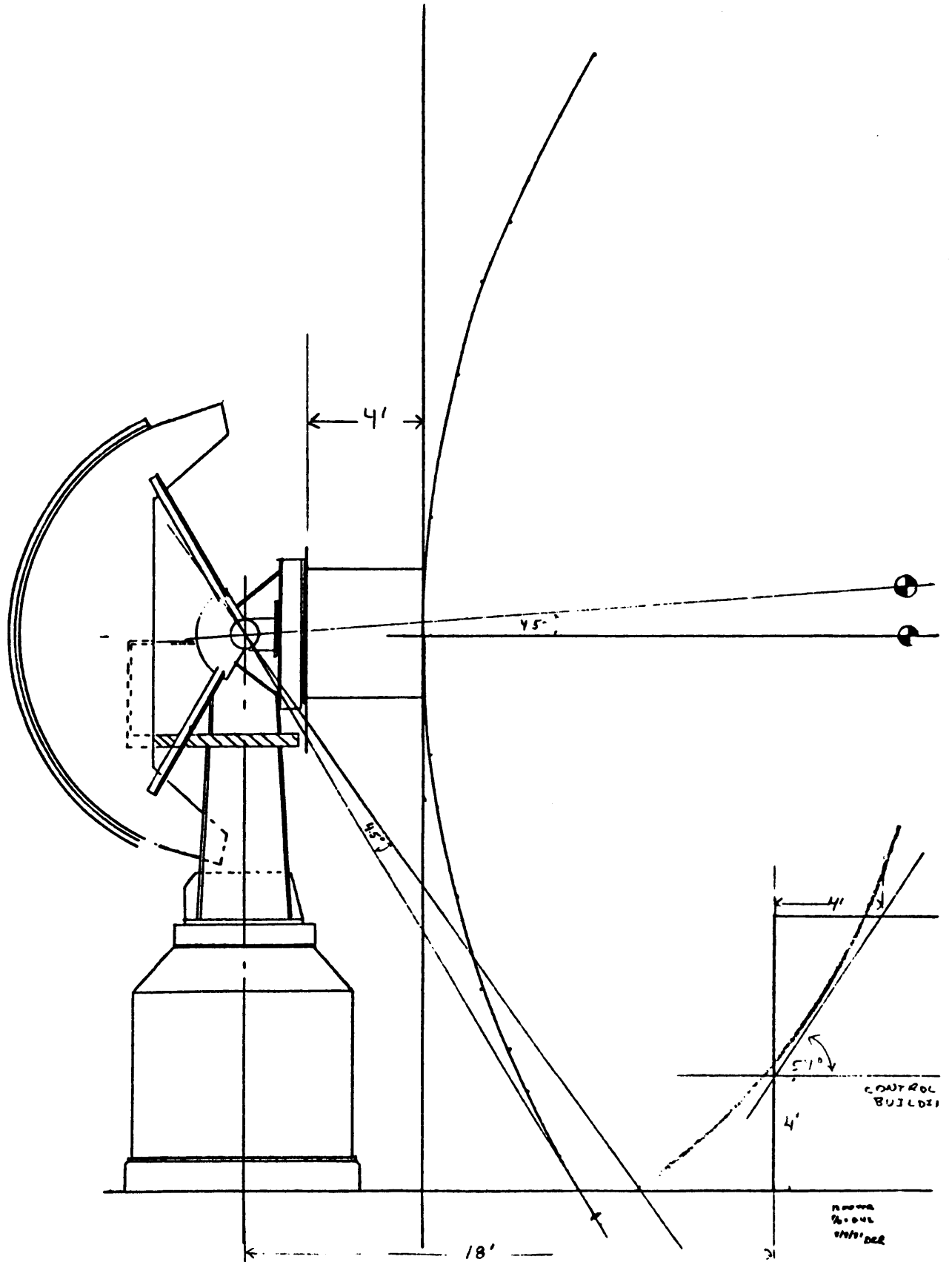
If a door has to be installed between the control room and the analysis computer room, we would lose 2 rack spaces and we would have to move the A.C. input lines to the building. They are presently run in a cable tray that is attached to the side of the building and are approximately 18" above the floor level. It is possible to move the cable tray below the floor level.

If we decide to modify the existing buildings, we should remove the prime focus service tower from the roof and investigate other methods of servicing the apex.

Enclosures

c: C. Burgess

FIG. 1



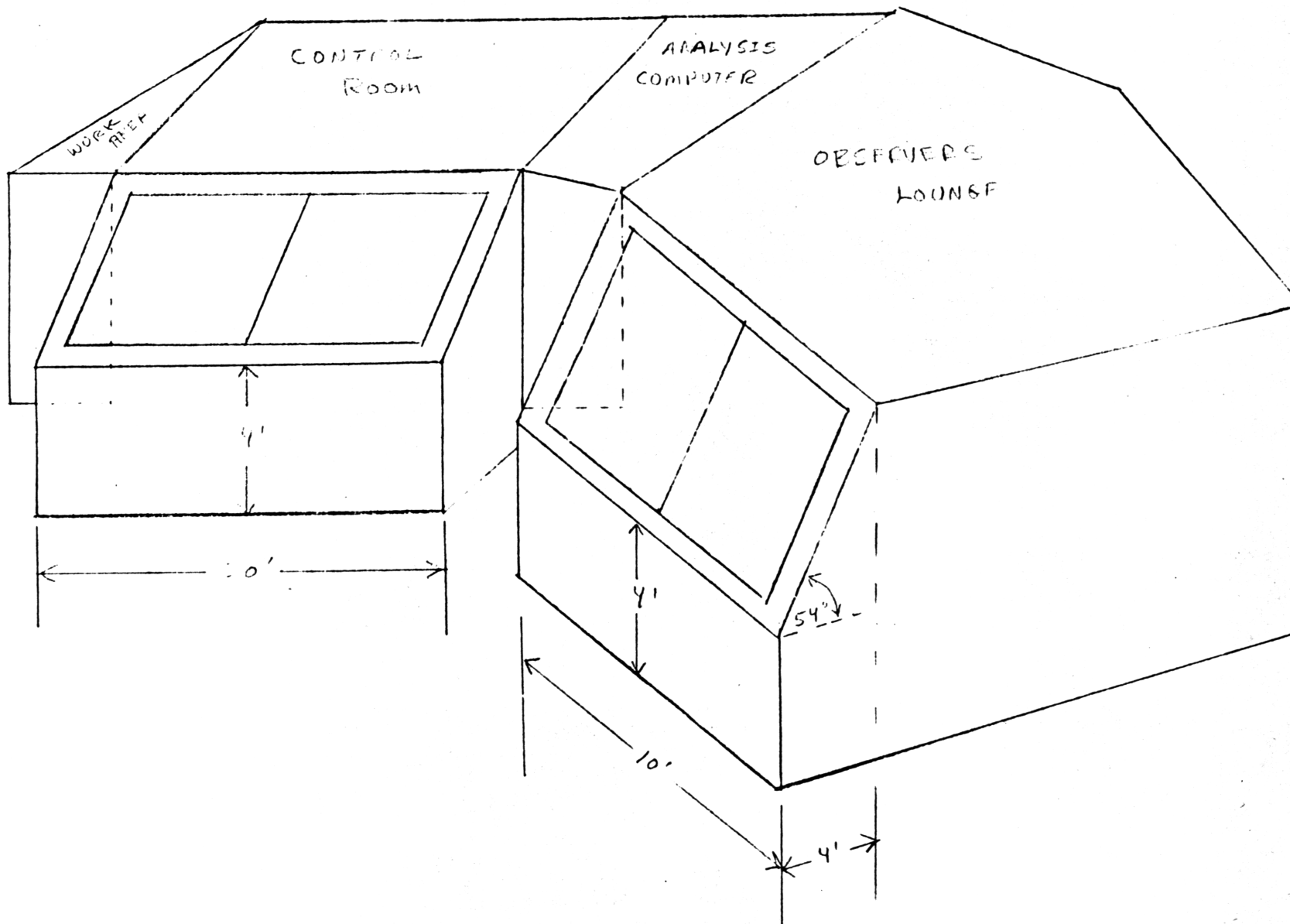


FIG. 2

5/10/31

DEK