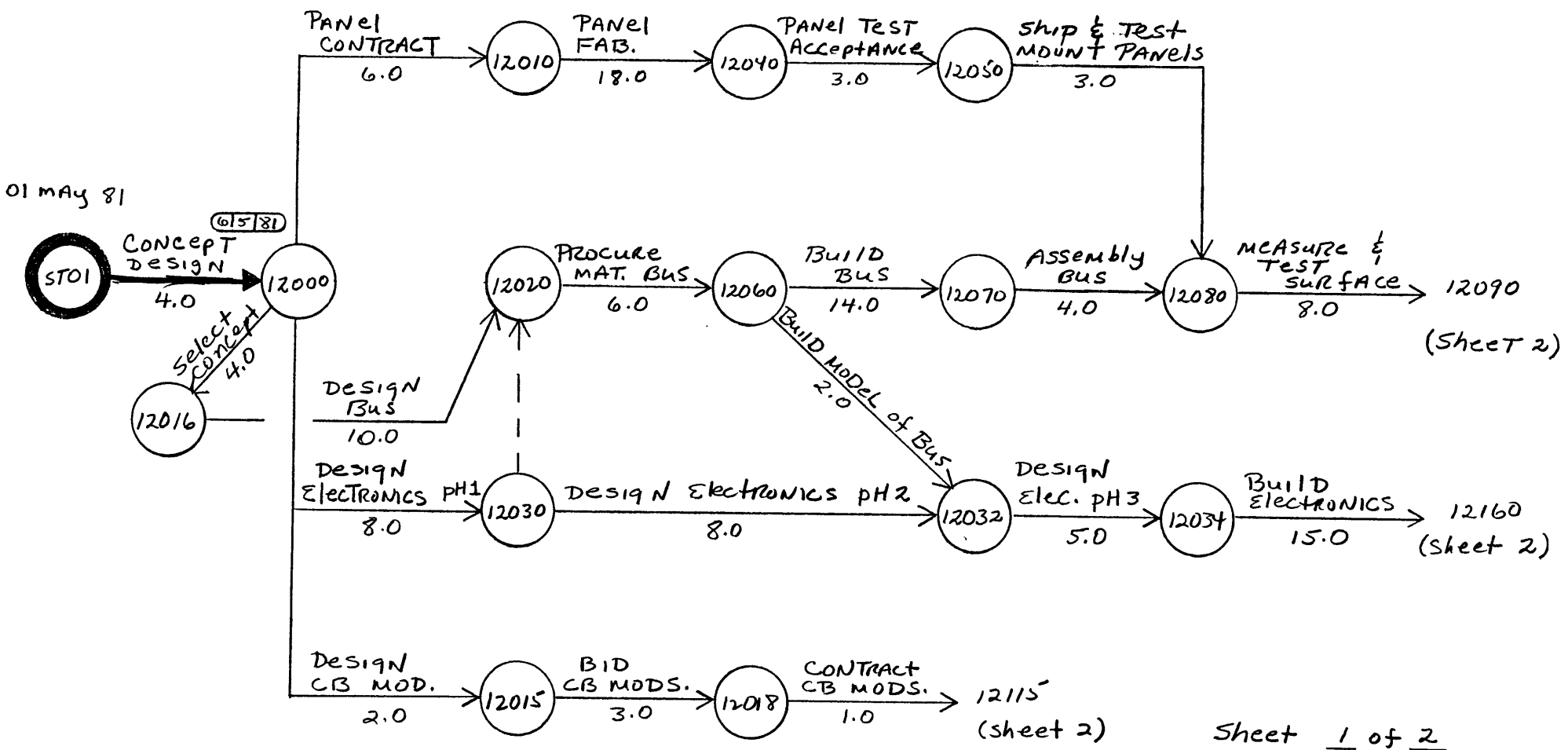


12 METER MILLIMETER WAVE TELESCOPE
MEMO No. 46

12 M ANTENNA

BUS = BACK-UP STRUCTURE
CB = CONTROL BUILDING

6/09/81



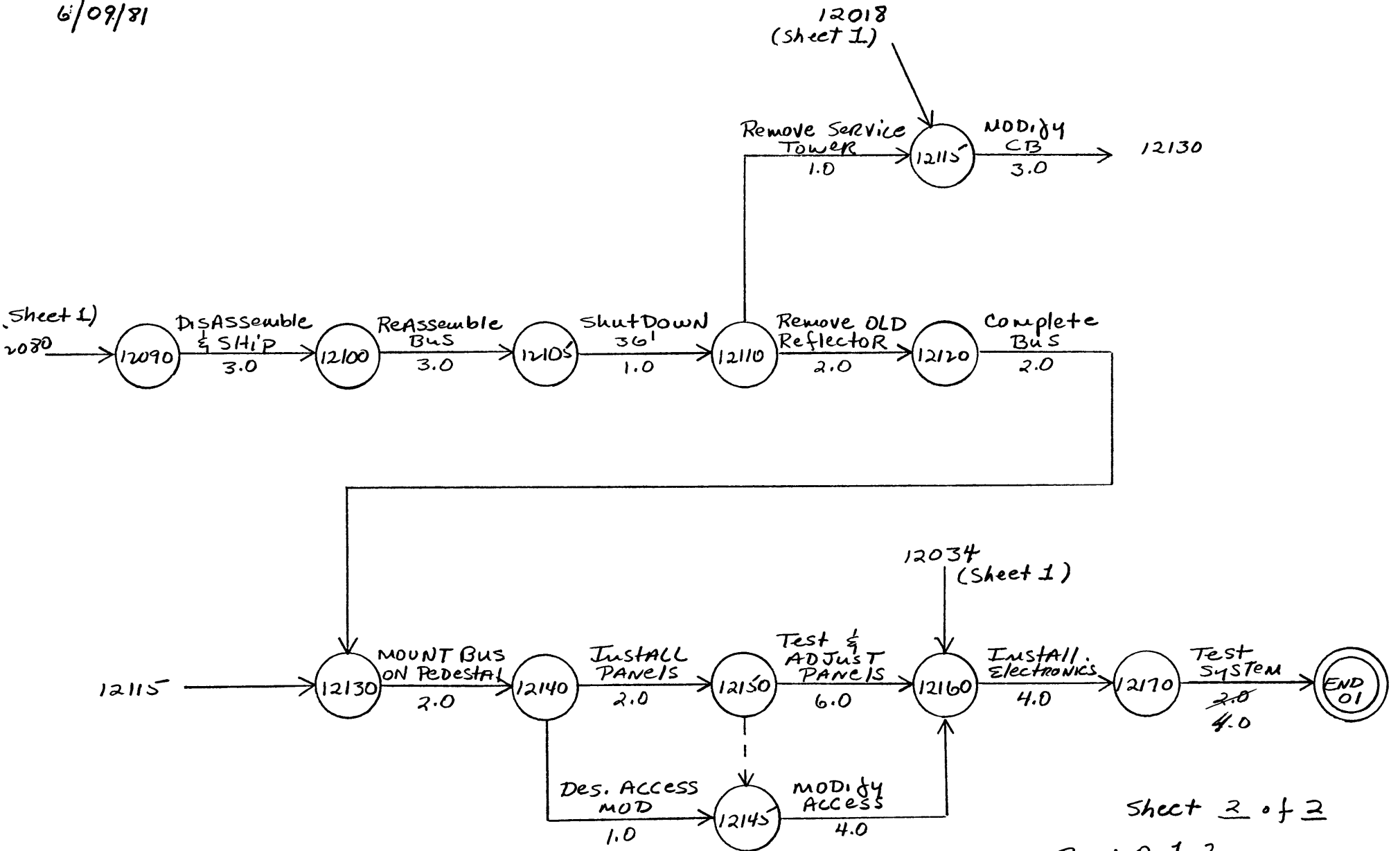
Sheet 1 of 2

REV: 0, 1, 2

12M ANTENNA

6/09/81

BUS = BACK-up STRUCTURE
CB = Control Building



NATIONAL RADIO ASTRONOMY OBSERVATORY
ACTIVITY TIME SHEET REPORT

PA [REDACTED]

PROGRAM 09JUN81 REPORT DATE. 12M TELESCOPE PROJECT.
PROJECT 12M ANTENNA UPGRADING PROJECT.

12M001
ANT012

RUN DATE 10JUN81

LEVEL DETAIL

SORTED BY PRED,SUCC

PRED EVENT	SUCC EVENT	CY. CD.	ACTIVITY DESCRIPTION	TIME EST	SLACK PRIM. SEC.	EARLY START	DATES FINISH	LATE START	DATES FINISH	SCHED.	DEPT
	ST01 S		BEGIN		.0	A01MAY81	A01MAY81	01MAY81	01MAY81		
ST01	12000		CONCEPT DESIGN	04.0	.0	A01MAY81	A08JUN81	01MAY81	08JUN81		
END01		E			.0	10NOV82	10NOV82	10NOV82	10NOV82		
12000	12010		PANEL CONTRACT	06.0	8.0	A08JUN81	20JUL81	03AUG81	15SEP81		
12000	12015		DESIGN CB MOD.	02.0	48.0	A08JUN81	22JUN81	18MAY82	01JUN82		
12000	12016		SELECT CONCEPT	04.0	.0	A08JUN81	06JUL81	08JUN81	06JUL81		
12000	12030		ELECTRONICS DESIGN PH 1	08.0	6.0	A08JUN81	03AUG81	20JUL81	15SEP81		
12010	12040		PANEL FAB	18.0	8.0	20JUL81	24NOV81	15SEP81	22JAN82		
12015	12018		BID CB MODS.	03.0	48.0	22JUN81	13JUL81	01JUN82	22JUN82		
12016	12020		DESIGN BUS	10.0	.0	06JUL81	15SEP81	06JUL81	15SEP81		
12018	12115		CONTRACT CB MODS.	01.0	48.0	13JUL81	20JUL81	22JUN82	29JUN82		
12020	12060		PROCURE MAT. BUS	06.0	.0	15SEP81	27OCT81	15SEP81	27OCT81		
12030	12020		DUMMY	0000	6.0	03AUG81	03AUG81	15SEP81	15SEP81		
12030	12032		DESIGN ELECTRONICS PH 2	08.0	31.0	03AUG81	29SEP81	16MAR82	11MAY82		
12032	12034		DESIGN ELECTRONICS PH 3	05.0	25.0	10NOV81	16DEC81	11MAY82	15JUN82		
12034	12160		BUILD ELECTRONICS	15.0	25.0	16DEC81	06APR82	15JUN82	29SEP82		
12040	12050		PANEL TEST ACCEPTANCE	03.0	8.0	24NOV81	16DEC81	22JAN82	15FEB82		
12050	12080		SHIP & TEST MOUNT PANELS	03.0	8.0	16DEC81	08JAN82	15FEB82	09MAR82		
12060	12032		BUILD MODEL OF BUS	02.0	25.0	27OCT81	10NOV81	27APR82	11MAY82		
12060	12070		BUILD BUS	14.0	.0	27OCT81	05FEB82	27OCT81	05FEB82		
12070	12080		ASSEMBLY BUS	04.0	.0	05FEB82	09MAR82	05FEB82	09MAR82		
12080	12090		MEASURE & TEST SURFACE	08.0	.0	09MAR82	04MAY82	09MAR82	04MAY82		
12090	12100		DISASSEMBLE & SHIP	03.0	.0	04MAY82	25MAY82	04MAY82	25MAY82		
12100	12105		REASSEMBLE BUS	03.0	.0	25MAY82	15JUN82	25MAY82	15JUN82		
12105	12110		SHUT DOWN 36FT	01.0	.0	15JUN82	22JUN82	15JUN82	22JUN82		
12110	12115		REMOVE SERVICE TOWER	01.0	.0	22JUN82	29JUN82	22JUN82	29JUN82		
12110	12120		REMOVE OLD REFLECTOR	02.0	.0	22JUN82	06JUL82	22JUN82	06JUL82		
12115	12130		MODIFY CB	03.0	.0	29JUN82	20JUL82	29JUN82	20JUL82		
12120	12130		COMPLETE BUS	02.0	.0	06JUL82	20JUL82	06JUL82	20JUL82		
12130	12140		MOUNT BUS ON PEDESTAL	02.0	.0	20JUL82	03AUG82	20JUL82	03AUG82		
12140	12145		DESIGN ACCESS MOD.	01.0	3.0	03AUG82	10AUG82	24AUG82	31AUG82		
12140	12150		INSTALL PANELS	02.0	.0	03AUG82	17AUG82	03AUG82	17AUG82		
12145	12160		MODIFY ACCESS	04.0	2.0	17AUG82	15SEP82	31AUG82	29SEP82		
12150	12145		DUMMY	0000	2.0	17AUG82	17AUG82	31AUG82	31AUG82		
12150	12160		TEST & ADJUST PANELS	06.0	.0	17AUG82	29SEP82	17AUG82	29SEP82		
12160	12170		INSTALL ELECTRONICS	04.0	.0	29SEP82	27OCT82	29SEP82	27OCT82		
12170	END01		TEST SYSTEM	02.0	.0	27OCT82	10NOV82	27OCT82	10NOV82		

NATIONAL RADIO ASTRONOMY OBSERVATORY
ACTIVITY BAR CHART

PAGE 1

PROGRAM 09JUN81 REPORT DATE. 12M TELESCOPE PROJECT.
PROJECT 12M ANTENNA UPGRADING PROJECT.

12M001
ANT012

RUN DATE 10JUN81

PRED EVENT	SUCC EVENT	CY CD	DESCRIPTION	A - ACTIVITY COMPLETE * - ACTIVITY DURATION	P - PACING ITEM - - ACTIVITY FLOAT	FINAL DATE	DEPT		
ST01	12000		CONCEPT DESIGN	AAA .	.	08JUN81			
12000	12010		PANEL CONTRACT	****--	.	20JUL81			
12000	12015		DESIGN CB MCD.	**-----	.	22JUN81			
12000	12016		SELECT CONCEPT	PPP	.	06JUL81			
12000	12030		ELECTRONICS DESIGN PH 1	****--	.	03AUG81			
12010	12040		PANEL FAB	: .*****--	.	24NOV81			
12015	12018		BID CB MODS.	:**-----	.	13JUL81			
12016	12020		DESIGN BUS	: PPPPP	.	15SEP81			
12018	12115		CONTRACT CB MODS.	: **-----	.	20JUL81			
12020	12060		PRCCURE MAT. BUS	: . PPPP	.	27OCT81			
12030	12032		DESIGN ELECTRONICS PH 2	: . ****-----	.	29SEP81			
12032	12034		DESIGN ELECTRONICS PH 3	: . ****-----	.	16DEC81			
12034	12160		BUILD ELECTRONICS	: . *****-----	.	06APR82			
12040	12050		PANEL TEST ACCEPTANCE	: . ***--	.	16DEC81			
12050	12080		SHIP & TEST MOUNT PANELS.	: . **-----	.	08JAN82			
12060	12032		BUILD MODEL OF BUS	: . **-----	.	10NOV81			
12060	12070		BUILD BUS	: . PPPPPPPP	.	05FEB82			
12070	12080		ASSEMBLY BUS	: . . PPP	.	09MAR82			
12080	12090		MEASURE & TEST SURFACE	: . . PPPPP	.	04MAY82			
12090	12100		DISASSEMBLE & SHIP	: . . PP	.	25MAY82			
12100	12105		REASSEMBLE BUS	: . . PP	.	15JUN82			
12105	12110		SHUT DOWN 36FT	: . . PP	.	22JUN82			
12110	12115		REMOVE SERVICE TOWER	: . . P	.	29JUN82			
12110	12120		REMOVE OLD REFLECTOR	: . . PP	.	06JUL82			
12115	12130		MODIFY CB	: . . PPP	.	20JUL82			
12120	12130		COMPLETE BUS	: . . PP	.	20JUL82			
12130	12140		MOUNT BUS ON PEDESTAL	: . . .PP	.	03AUG82			
12140	12145		DESIGN ACCESS MCD.	: . . *-	.	10AUG82			
12140	12150		INSTALL PANELS	: . . PP	.	17AUG82			
12145	12160		MODIFY ACCESS	: . . **--	.	15SEP82			
12150	12160		TEST & ADJUST PANELS	: . . PPP	.	29SEP82			
12160	12170		INSTALL ELECTRONICS	: . . PP	.	27OCT82			
12170	END01		TEST SYSTEM	: . . PP	.	10NOV82			
				01JUL81	01JAN82	01JUL82	01JAN83	01JUL83	01JAN84