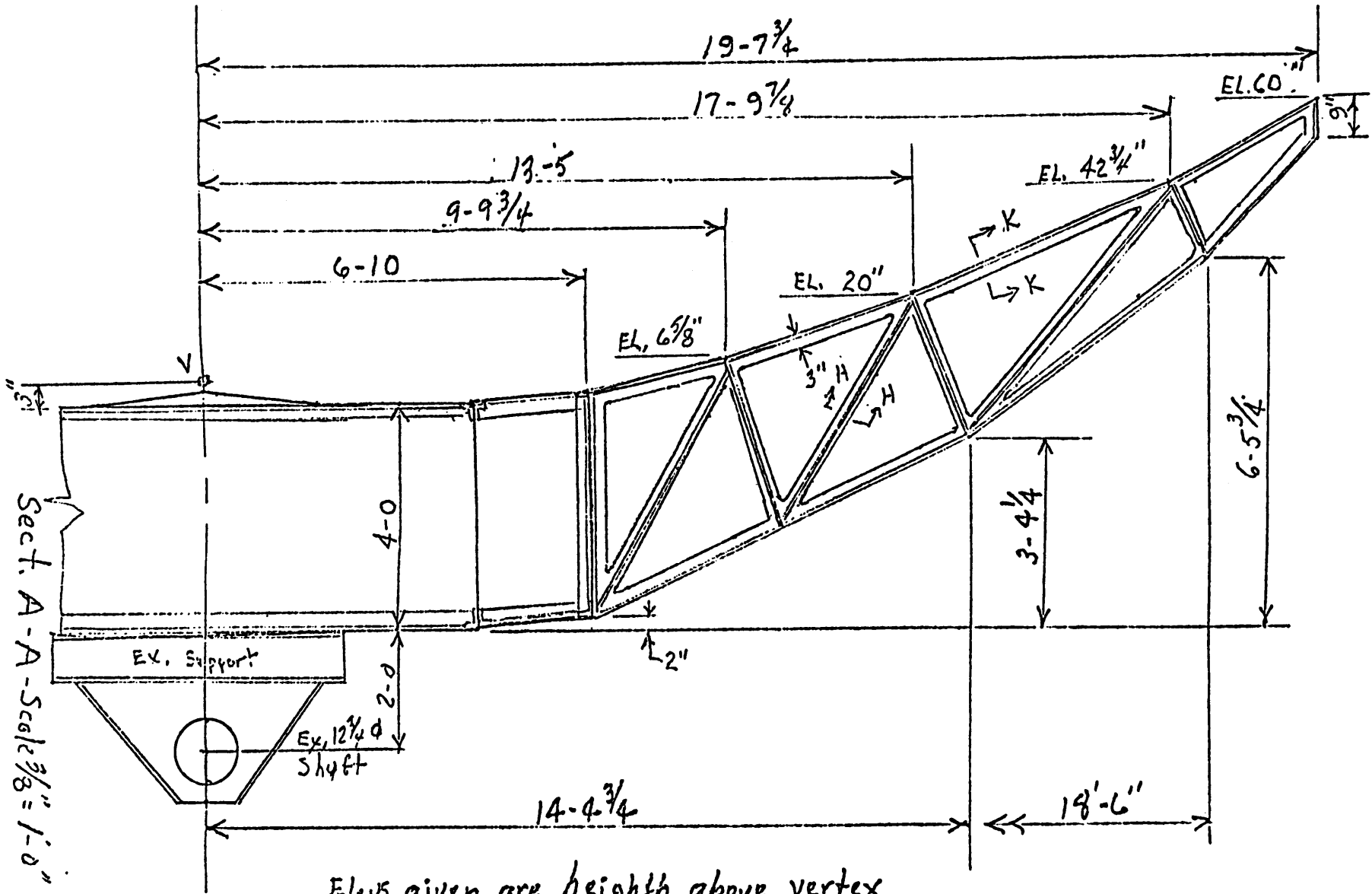
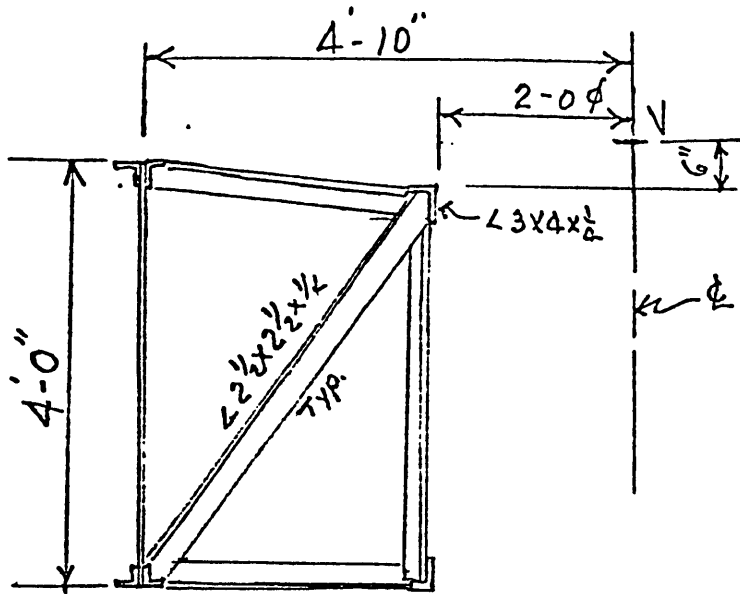


PLAN ~ 12 M ANT.
 Scale $\frac{3}{16}'' = 1'-0''$

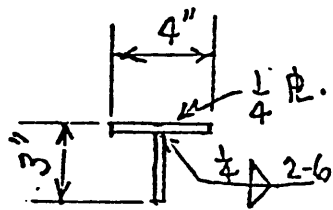


Elevs. given are height above vertex

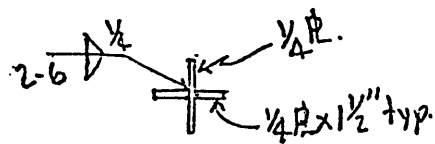
WGH June 1981



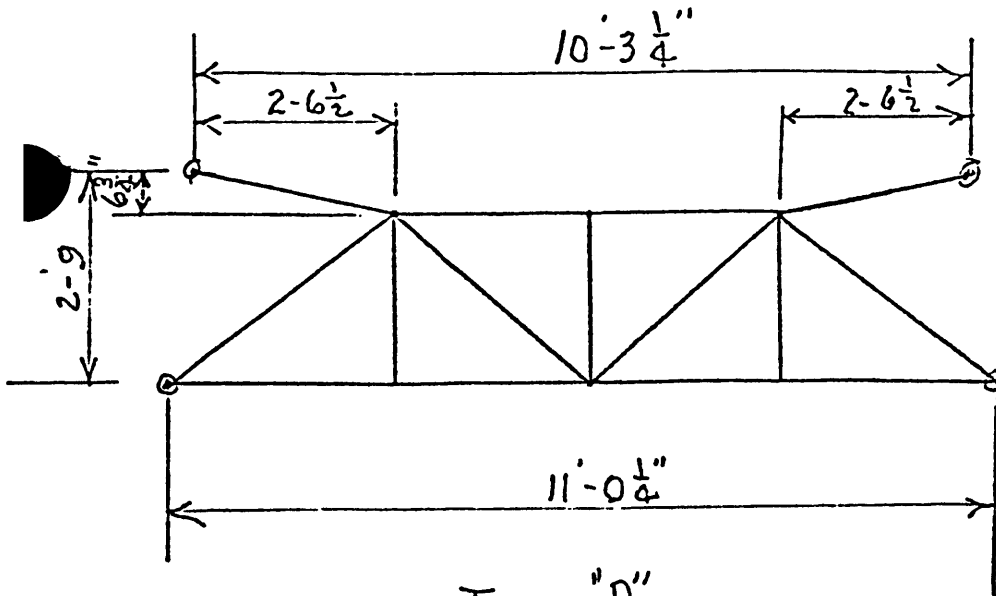
SECT. B-B
Cell Diagonals not shown



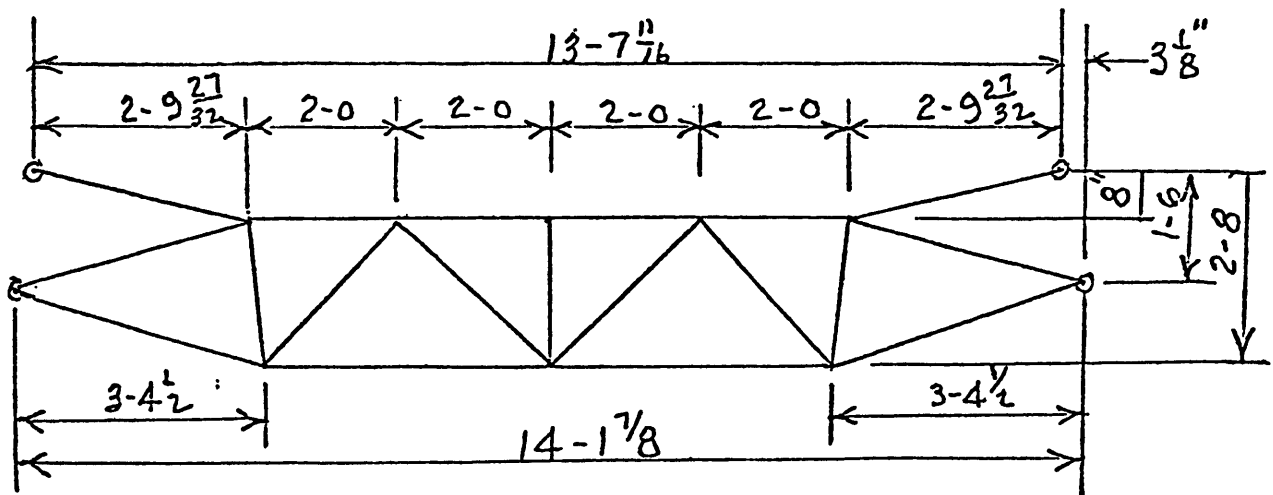
Section K-K
Typ. for Ribs



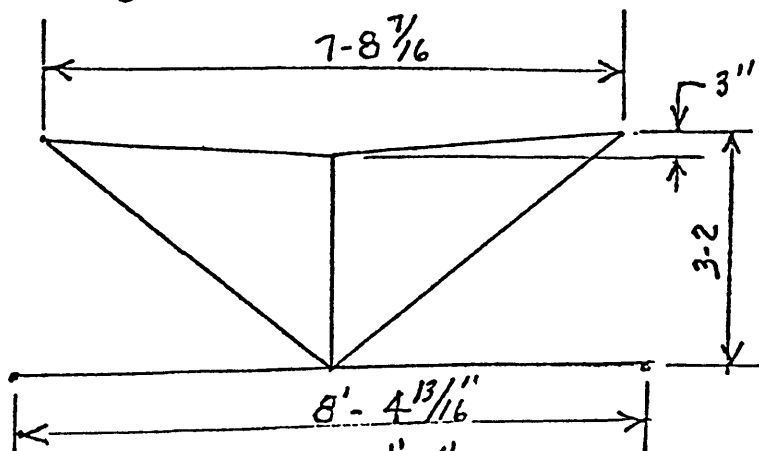
Section H-H



Truss "B"
 Top & Bottom Chords ~ Area of 1.25 in^2
 Diagonals & Verticals ~ Area of 0.96 in^2



Truss "C"
 Top & Bottom Chords ~ Area of 1.25 in^2
 Diagonals & Verticals ~ Area of 0.96 in^2



Truss "A"
 All members ~ Area of 1.25 in^2

Member sizes not shown on Dwg

Bottom Plane Diagonals

From Hub to Truss "B" use area = 1.77 in^2

From Truss "B" to "C" use area = 1.25 in^2

(2) Top Plane Bracing

Diagonals use area = 1.25 in^2

Inter. Top Rib member use area = 1.77 in^2 (ST4B65)

Outer chord use area = 1.77 in^2

(3) Hub members use 16 ga. sheet for web

Scale proportionately stiffening members

Use top and bottom angles with $\frac{1}{2}$ area of E-system design