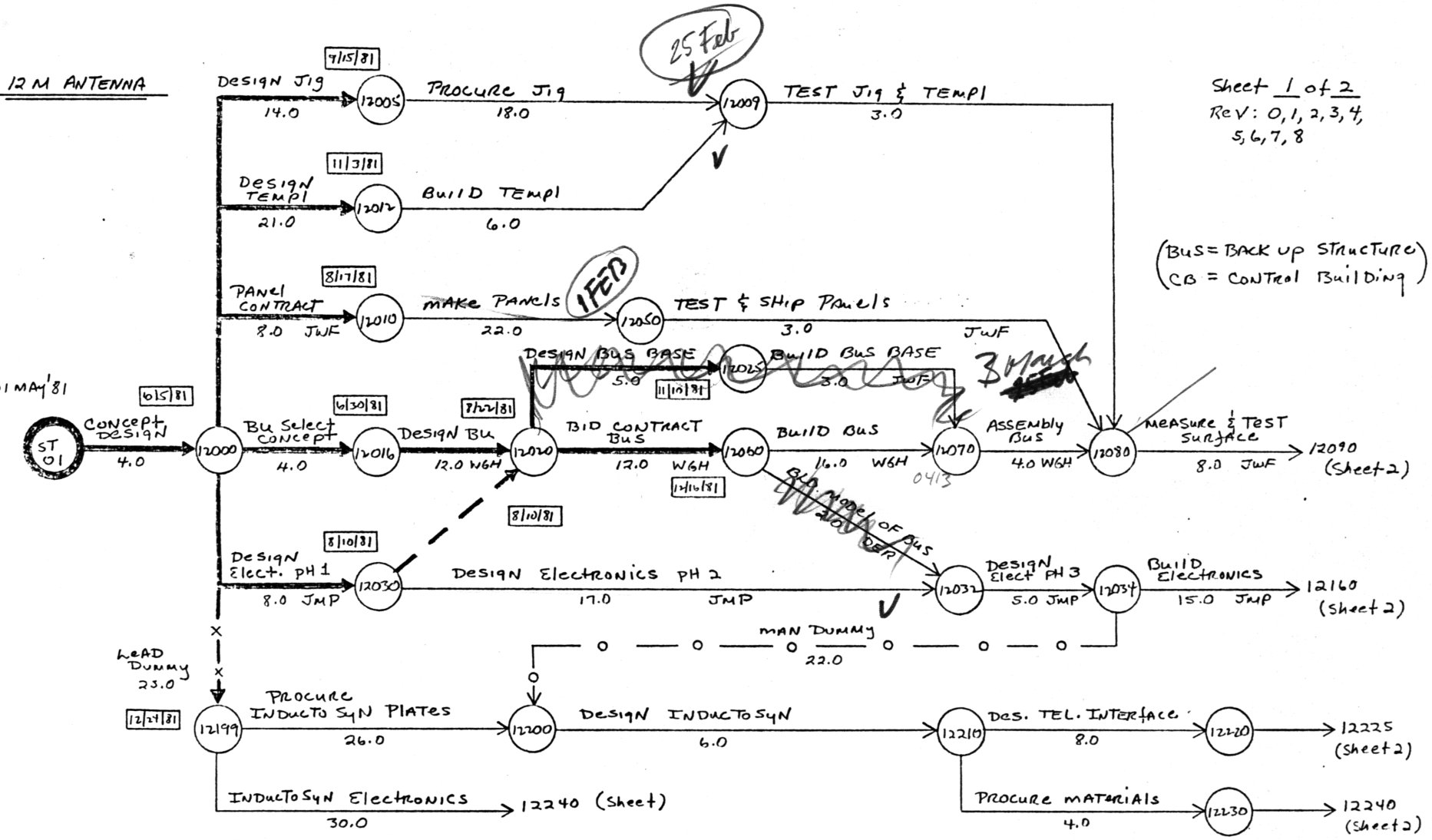


12 M ANTENNA

Sheet 1 of 2  
 Rev: 0, 1, 2, 3, 4,  
 5, 6, 7, 8

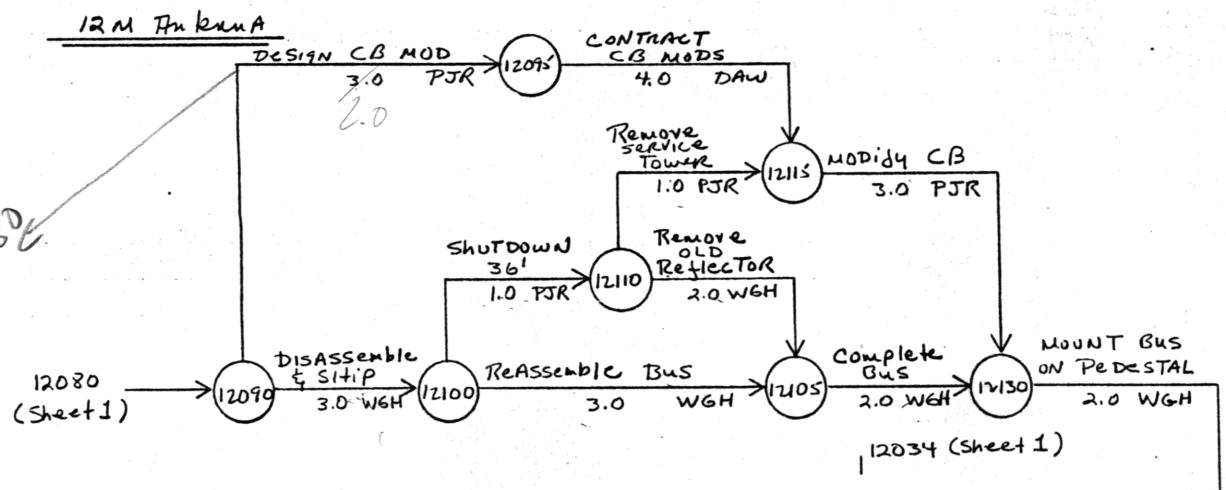
(Bus = BACK up Structure)  
 (CB = CONTROL Building)

01 MAY '81



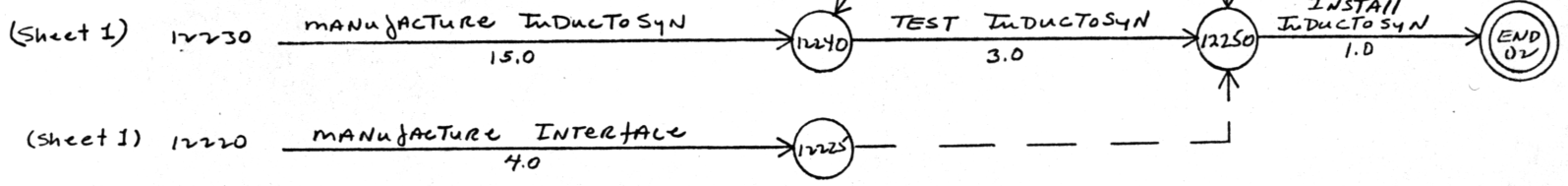
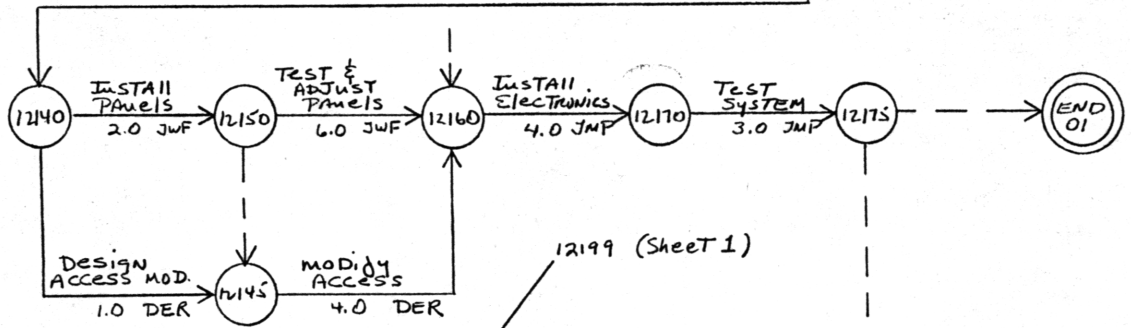
12 METER MILLIMETER WAVE TELESCOPE  
 MEMO No. 122

1280



SHEET 2 of 2  
REV: 0, 1, 2, 3, 4, 5,  
6, 7, 8

(BUS = BACK-UP STRUCTURE)  
(CB = CONTROL BUILDING)



12199 (Sheet 1)

NATIONAL RADIO ASTRONOMY OBSERVATORY  
ACTIVITY TIME SCHEDULE REPORT

PAGE 1

PROGRAM 20JAN82 REPORT DATE. 12M TELESCOPE PROJECT.  
PROJECT 12M ANTENNA UPGRADING PROJECT.

12M001  
ANT012

RUN DATE 20JAN82

LEVEL DETAIL

SORTED BY PRED,SUCC

PRED EVENT	SUCC EVENT	CY. CD.	ACTIVITY DESCRIPTION	TIME EST	SLACK PRIM. SEC.	EARLY START	DATES FINISH	LATE START	DATES FINISH	SCHED.	DEPT
	ST01 S		BEGIN		.0	A01MAY81	A01MAY81	01MAY81	01MAY81		
	ST01 12000		CONCEPT DESIGN	04.0	.0	A01MAY81	A08JUN81	01MAY81	08JUN81		
END01		E			.0	13JAN83	13JAN83	13JAN83	13JAN83		
END02		E			.0	21JAN83	21JAN83	21JAN83	21JAN83		
12000	12005		DESIGN JIG	14.0	12.0	A08JUN81	A15SEP81	08JUN81	09DEC81		
12000	12010		PANEL CONTRACT	08.0	12.0	A08JUN81	A17AUG81	08JUN81	10NOV81		JWF
12000	12012		DESIGN TEMPL	21.0	17.0	A08JUN81	A03NOV81	08JUN81	09MAR82		
12000	12014		SELECT CONCEPT	04.0	.0	A08JUN81	A30JUN81	08JUN81	30JUN81		
12000	12030		ELECTRONICS DESIGN PH 1	08.0	6.0	A08JUN81	A10AUG81	08JUN81	22SEP81		JMP
12000	12195		LEAD DUMMY	25.0	.0	A08JUN81	A24DEC81	08JUN81	24DEC81		XX
12005	12005		PROCURE JIG	18.0	12.0	A15SEP81	22JAN82	09DEC81	20APR82		
12009	12080		TEST JIG & TEMPL	03.0	12.0	22JAN82	15FEB82	20APR82	11MAY82		
12010	12050		MAKE PANELS	22.0	12.0	A17AUG81	22JAN82	10NOV81	20APR82		JWF
12012	12005		BUILD TEMPL	06.0	17.0	A03NOV81	16DEC81	09MAR82	20APR82		
12016	12020		DESIGN BUS	12.0	.0	A30JUN81	A22SEP81	30JUN81	22SEP81		WGH
12020	12025		DESIGN BUS BASE	05.0	17.0	A22SEP81	A10NOV81	22SEP81	16MAR82		
12020	12060		BIC, CONTRACT BUS	12.0	.0	A22SEP81	A16DEC81	22SEP81	16DEC81		WGH
12025	12070		BUILD BUS BASE	04.0	17.0	A10NOV81	09DEC81	16MAR82	13APR82		
12030	12020		DUMMY	0000	6.0	A10AUG81	A10AUG81	22SEP81	22SEP81		
12030	12032		DESIGN ELECTRONICS PH 2	17.0	23.2	A10AUG81	09DEC81	25JAN82	26MAY82		JMP
12032	12034		DESIGN ELECTRONICS PH 3	05.0	20.2	31DEC81	05FEB82	26MAY82	30JUN82		JMP
12034	12160		BUILD ELECTRONICS	15.0	26.0	05FEB82	25MAY82	10AUG82	24NOV82		JMP
12034	12200		MAN DUMMY	0000	20.2	05FEB82	05FEB82	30JUN82	30JUN82		XX
12050	12080		TEST & SHIP PANELS	03.0	12.0	22JAN82	15FEB82	20APR82	11MAY82		JWF
12060	12032		BUILD MODEL OF BUS	02.0	20.2	A16DEC81	31DEC81	12MAY82	26MAY82		DER
12060	12070		BUILD BUS	16.0	.0	A16DEC81	13APR82	16DEC81	13APR82		WGH
12070	12080		ASSEMBLY BUS	04.0	.0	13APR82	11MAY82	13APR82	11MAY82		WGH
12080	12090		MEASURE & TEST SURFACE	08.0	.0	11MAY82	06JUL82	11MAY82	06JUL82		JWF
12090	12095		DESIGN CB MOD.	03.0	.0	06JUL82	27JUL82	06JUL82	27JUL82		PJR
12090	12100		DISASSEMBLE & SHIP	03.0	2.0	06JUL82	27JUL82	20JUL82	10AUG82		WGH
12095	12115		CONTRACT CB MODS.	04.0	.0	27JUL82	24AUG82	27JUL82	24AUG82		DAW
12100	12105		REASSEMBLE BUS	03.0	2.0	27JUL82	17AUG82	10AUG82	31AUG82		WGH
12100	12110		SHUT DOWN 36FT	01.0	2.0	27JUL82	03AUG82	10AUG82	17AUG82		PJR
12105	12130		COMPLETE BUS	02.0	2.0	17AUG82	31AUG82	31AUG82	15SEP82		WGH
12110	12105		REMOVE CLD REFLECTOR	02.0	2.0	03AUG82	17AUG82	17AUG82	31AUG82		WGH
12110	12115		REMOVE SERVICE TOWER	01.0	2.0	03AUG82	10AUG82	17AUG82	24AUG82		PJR
12115	12130		MODIFY CB	03.0	.0	24AUG82	15SEP82	24AUG82	15SEP82		PJR
12130	12140		MOUNT BUS ON PEDESTAL	02.0	.0	15SEP82	29SEP82	15SEP82	29SEP82		WGH
12140	12145		DESIGN ACCESS MCD.	01.0	3.0	29SEP82	06OCT82	20OCT82	27OCT82		DER
12140	12150		INSTALL PANELS	02.0	.0	29SEP82	13OCT82	29SEP82	13OCT82		JWF
12145	12160		MODIFY ACCESS	04.0	2.0	13OCT82	10NOV82	27OCT82	24NOV82		DER
12150	12145		DUMMY	0000	2.0	13OCT82	13OCT82	27OCT82	27OCT82		
12150	12160		TEST & ADJUST PANELS	06.0	.0	13OCT82	24NOV82	13OCT82	24NOV82		JWF
12160	12170		INSTALL ELECTRONICS	04.0	.0	24NOV82	23DEC82	24NOV82	23DEC82		JMP
12170	12175		TEST SYSTEM	03.0	.0	23DEC82	13JAN83	23DEC82	13JAN83		JMP
12175	END01		DUMMY	0000	.0	13JAN83	13JAN83	13JAN83	13JAN83		

NATIONAL RADIO ASTRONOMY OBSERVATORY  
ACTIVITY TIME STATEMENT REPORT

PAGE 1

PROGRAM 20JAN82 REPORT DATE, 12M TELESCOPE PROJECT.  
PROJECT 12M ANTENNA UPGRADING PROJECT.

12M001  
ANT012

RUN DATE 20JAN82

LEVEL DETAIL

SORTED BY PRED,SUCC

PRED EVENT	SUCC EVENT	CY. CD.	ACTIVITY DESCRIPTION	TIME EST	SLACK PRIM. SEC.	EARLY START	DATES FINISH	LATE START	DATES FINISH	DEPT SCHED.
12175	12250		DUMMY	0000	.2	13JAN83	13JAN83	14JAN83	14JAN83	
12199	12200		PRCC. INDUCTOSYNS PLATES	26.0	.0	A24DEC81	30JUN82	24DEC81	30JUN82	
12199	12240		INDUCTCSYN ELECTRONICS	30.0	21.0	A24DEC81	28JUL82	26MAY82	24DEC82	
12200	12210		DESIGN INDUCTCSYNS	06.0	.0	30JUN82	11AUG82	30JUN82	11AUG82	
12210	12220		CES. TEL INTERFACE	08.0	10.0	11AUG82	07OCT82	21OCT82	17DEC82	
12210	12230		PROCURE MAT.	04.0	.0	11AUG82	09SEP82	11AUG82	09SEP82	
12220	12225		MFG. INTERFACE	04.0	10.0	07OCT82	04NOV82	17DEC82	14JAN83	
12225	12250		DUMMY	0000	10.0	04NOV82	04NOV82	14JAN83	14JAN83	
12230	12240		MFG. INDUCTGSYNS	15.0	.0	09SEP82	24DEC82	09SEP82	24DEC82	
12240	12250		TEST INDUCTOSYNS	03.0	.0	24DEC82	14JAN83	24DEC82	14JAN83	
12250	END02		INSTALL INDUCTGSYNS	01.0	.0	14JAN83	21JAN83	14JAN83	21JAN83	

NATIONAL RADIO ASTRONOMY OBSERVATORY  
ACTIVITY BAR CHART

PROGRAM 20JAN82 REPORT DATE. 12M TELESCOPE PROJECT.  
PROJECT 12M ANTENNA UPGRADING PROJECT.

12M001  
ANT012

RUN DATE 20JAN82

PRED EVENT	SUCC EVENT	CY CD	DESCRIPTION	A - ACTIVITY COMPLETE * - ACTIVITY DURATION	P - PACING ITEM - - ACTIVITY FLOAT	FINAL DATE	DEPT
ST01	12000		CONCEPT DESIGN	.	.	08JUN81	
12000	12005		DESIGN JIG	.	.	15SEP81	
12000	12010		PANEL CONTRACT	.	.	17AUG81	JWF
12000	12012		DESIGN TEMPL	AAAAA	.	03NOV81	
12000	12016		SELECT CONCEPT	.	.	30JUN81	
12000	12030		ELECTRONICS DESIGN PH 1	.	.	10AUG81	JMP
12005	12009		PROCURE JIG	*****	.	22JAN82	
12009	12080		TEST JIG & TEMPL	*****	.	15FEB82	
12010	12050		MAKE PANELS	*****	.	22JAN82	JWF
12012	12005		BUILD TEMPL	*****	.	16DEC81	
12016	12020		DESIGN BUS	.	.	22SEP81	WGH
12020	12025		DESIGN BUS BASE	AAAAAA	.	10NOV81	
12020	12060		BID, CONTRACT BUS	AAAAAAAAA	.	16DEC81	WGH
12025	12070		BUILD BUS BASE	*****	.	09DEC81	
12030	12032		DESIGN ELECTRONICS PH 2	*****	.	09DEC81	JMP
12032	12034		DESIGN ELECTRONICS PH 3	*****	.	05FEB82	JMP
12034	12160		BUILD ELECTRONICS	*****	.	25MAY82	JMP
12050	12080		TEST & SHIP PANELS	*****	.	15FEB82	JWF
12060	12032		BUILD MODEL OF BUS	**	.	31DEC81	DER
12060	12070		BUILD BUS	PPPPPPPPPPPPPP	.	13APR82	WGH
12070	12080		ASSEMBLY BUS	.	PPPPP	11MAY82	WGH
12080	12090		MEASURE & TEST SURFACE	.	PPPPPPP	06JUL82	JWF
12090	12095		DESIGN CB MOD.	.	PPPP	27JUL82	PJR
12090	12100		DISASSEMBLE & SHIP	.	***-	27JUL82	WGH
12095	12115		CONTRACT CB MCCS.	.	PPPPP	24AUG82	DAW
12100	12105		REASSEMBLE BUS	.	****-	17AUG82	WGH
12100	12110		SHUT DOWN 36FT	.	**--	03AUG82	PJR
12105	12130		COMPLETE BUS	.	**--	31AUG82	WGH
12110	12105		REMOVE OLD REFLECTOR	.	***-	17AUG82	WGH
12110	12115		REMOVE SERVICE TOWER	.	**--	10AUG82	PJR
12115	12130		MODIFY CB	.	PPP	15SEP82	PJR
12130	12140		MOUNT BUS ON PEDESTAL	.	PPP	29SEP82	WGH
12140	12145		DESIGN ACCESS MOD.	.	**--	06OCT82	DER
12140	12150		INSTALL PANELS	.	PPP	13OCT82	JWF
12145	12160		MODIFY ACCESS	.	*****	10NOV82	DER
12150	12160		TEST & ADJUST PANELS	.	PPPPPPP	24NOV82	JWF
12160	12170		INSTALL ELECTRONICS	.	PPPP	23DEC82	JMP
12170	12175		TEST SYSTEM	.	PPPP	13JAN83	JMP
12199	12200		PRGC. INDUCTOSYNS PLATES.	PPPPPPPPPPPPPPPPPPPPPPPP	.	30JUN82	
12199	12240		INDUCTOSYN ELECTRONICS	*****	.	28JUL82	
12200	12210		DESIGN INDUCTOSYNS	.	PPPPPPP	11AUG82	
12210	12220		DES. TEL INTERFACE	.	*****	07OCT82	
12210	12230		PROCURE MAT.	.	PPPPP	09SEP82	
12220	12225		MFG. INTERFACE	.	*****	04NOV82	
12230	12240		MFG. INDUCTOSYNS	.	PPPPPPPPPPPPPP	24DEC82	
12240	12250		TEST INDUCTOSYNS	.	PPP	14JAN83	
12250	END02		INSTALL INDUCTOSYNS	.	PP	21JAN83	

01JAN82      01APR82      01JUL82      01OCT82      01JAN83      01APR83

NATIONAL RADIO ASTRONOMY OBSERVATORY  
ACTIVITY TIME STATEMENT REPORT

PAGE 1

PROGRAM 20JAN82 REPORT DATE. 12M TELESCOPE PROJECT.  
PROJECT 12M ANTENNA UPGRADING PROJECT.

12M001  
ANT012

RUN DATE 20JAN82

LEVEL DETAIL

SCRPTED BY EXP.DATE

PRED EVENT	SUCC EVENT	CY. CD.	ACTIVITY DESCRIPTION	TIME EST	SLACK PRIM. SEC.	EARLY START	DATES FINISH	LATE START	DATES FINISH	SCHED.	DEPT
12030	12032		DESIGN ELECTRONICS PH 2	17.0	23.2	A10AUG81	09DEC81	25JAN82	26MAY82		JMP
12025	12070		BUILD BUS BASE	04.0	17.0	A10NOV81	09DEC81	16MAR82	13APR82		
12012	12009		BUILD TEMPL	06.0	17.0	A03NOV81	16DEC81	09MAR82	20APR82		
12060	12032		BUILD MODEL OF BUS	02.0	20.2	A16DEC81	31DEC81	12MAY82	26MAY82		DER
12005	12009		PRGURE JIG	18.0	12.0	A15SEP81	22JAN82	09DEC81	20APR82		
12010	12050		MAKE PANELS	22.0	12.0	A17AUG81	22JAN82	10NOV81	20APR82		JWF
12032	12034		DESIGN ELECTRONICS PH 3	05.0	20.2	31DEC81	05FEB82	26MAY82	30JUN82		JMP
12034	12200		MAK DUMMY	0000	20.2	05FEB82	05FEB82	30JUN82	30JUN82		XX
12009	12080		TEST JIG & TEMPL	03.0	12.0	22JAN82	15FEB82	20APR82	11MAY82		
12050	12080		TEST & SHIP PANELS	03.0	12.0	22JAN82	15FEB82	20APR82	11MAY82		JWF
12060	12070		BUILD BUS	16.0	0.0	A16DEC81	13APR82	16DEC81	13APR82		WGH
12034	12160		BUILD ELECTRONICS	15.0	26.0	05FEB82	25MAY82	10AUG82	24NOV82		JMP
12199	12200		PRCC. INDUCTOSYNS PLATES	26.0	.0	A24DEC81	30JUN82	24DEC81	30JUN82		
12199	12240		INDUCTSYN ELECTRONICS	30.0	21.0	A24DEC81	28JUL82	26MAY82	24DEC82		