

3/19/82

Lee.

Please take a look at these sketches for receiver mounting in positions 3 & 4 (Memo 138).

The position shown would allow the reference plate to clear the yoke for all telescope elevations.

If these positions are acceptable, I will sketch the receiver loading rails.

The 36" dimension shown in Fig #3 has not been finalized, however, I think 36" is a max. and 32" would be a min.

Thanks for your help

Dewey

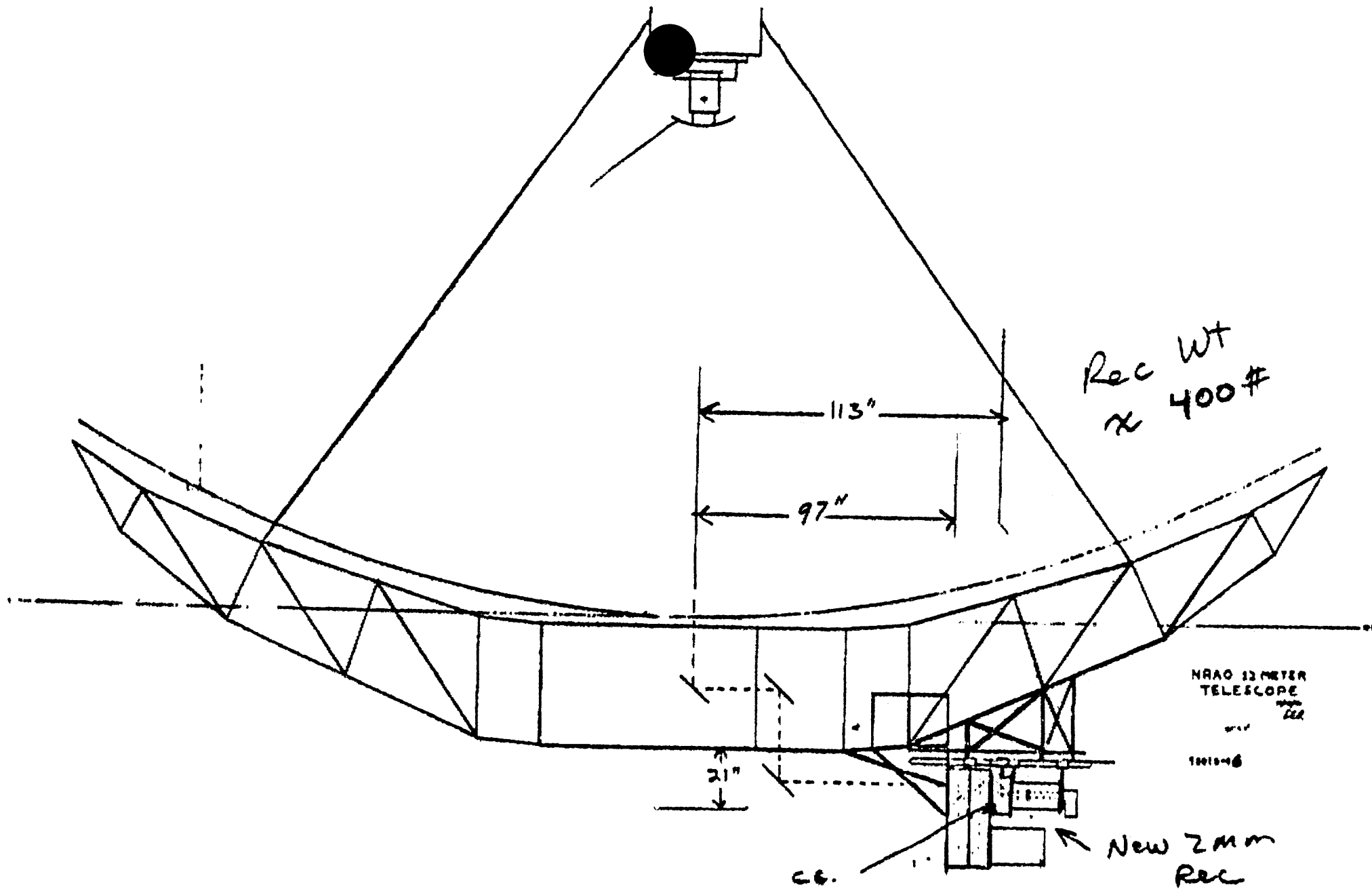


FIG. # 1

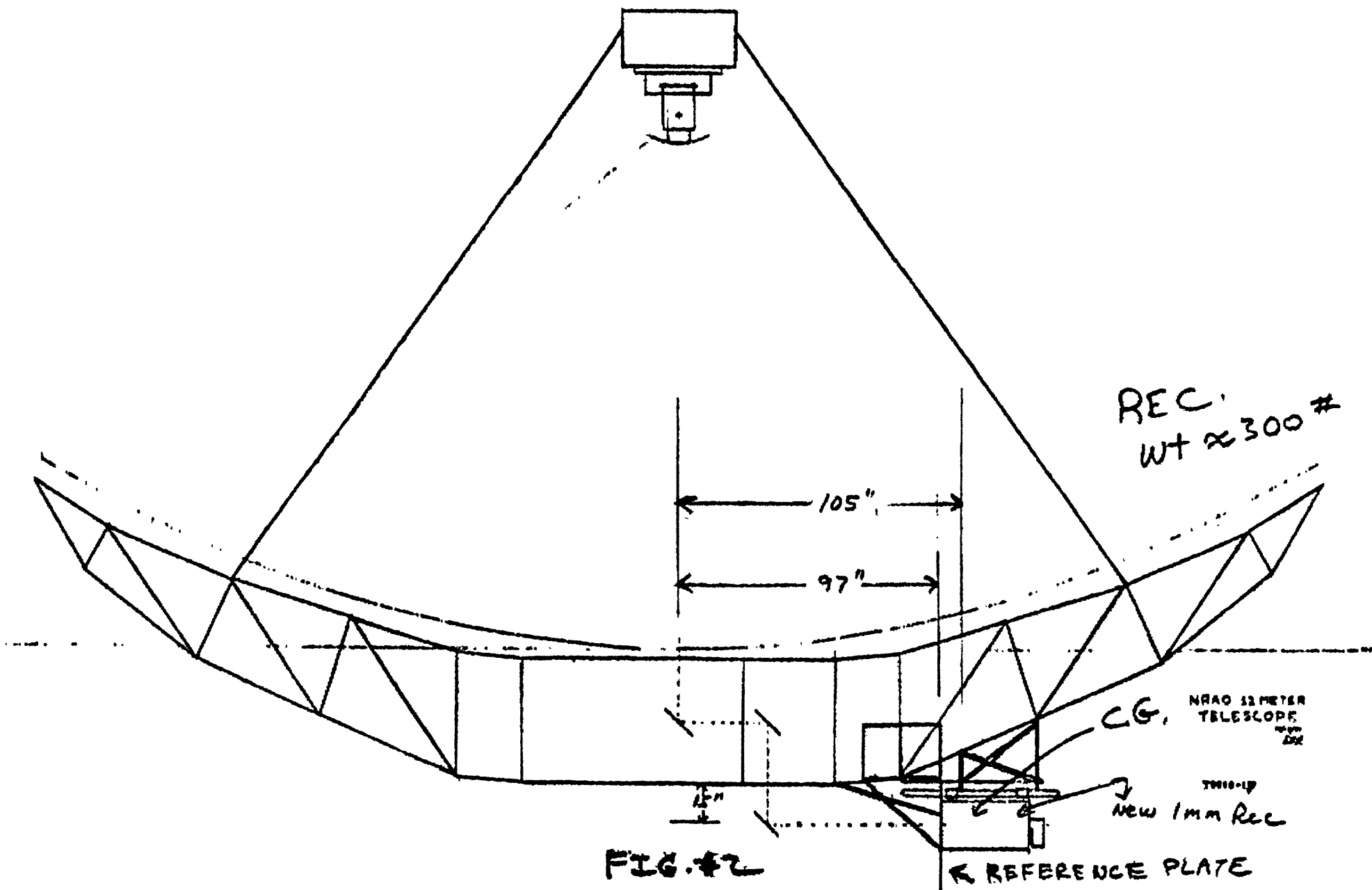
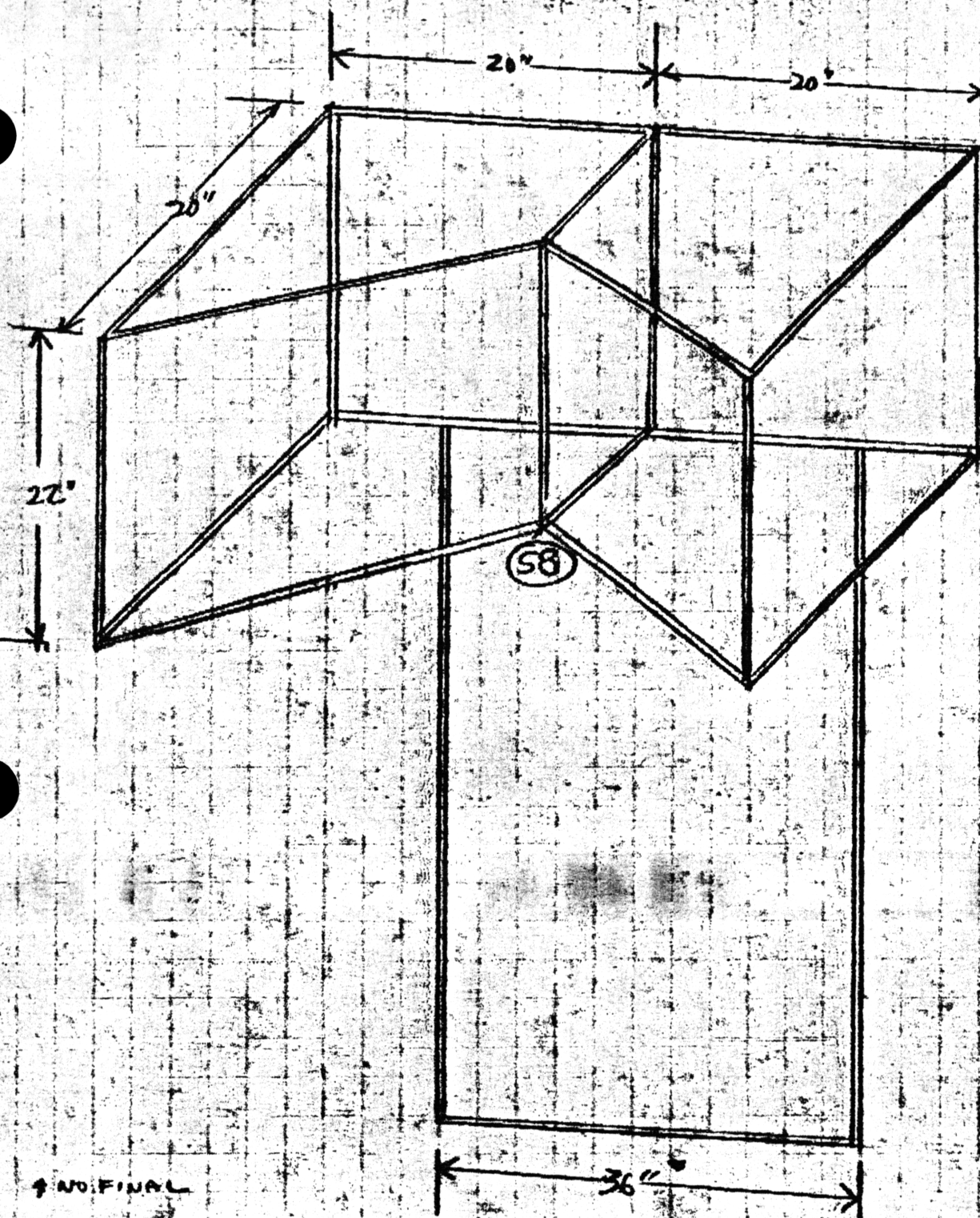


FIG. 42



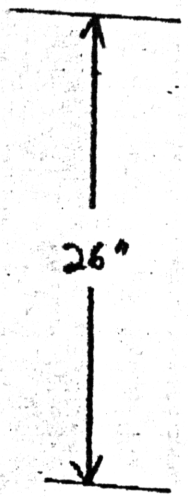
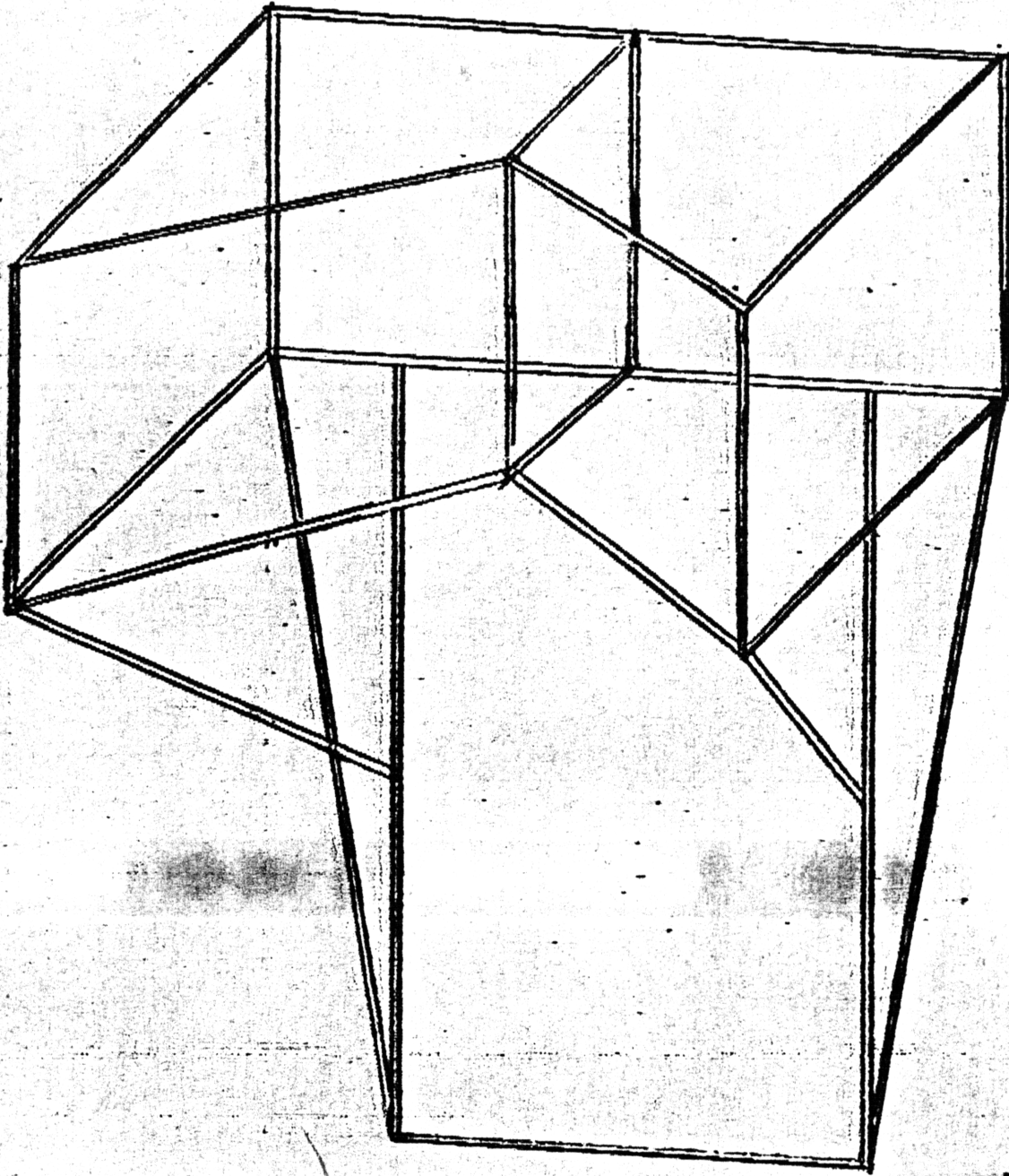
↑ NO FINAL

12 METER TELESCOPE
REFERENCE FRAME/PLATE

T0010-18-1

3/17/82
PER

FIG. #3

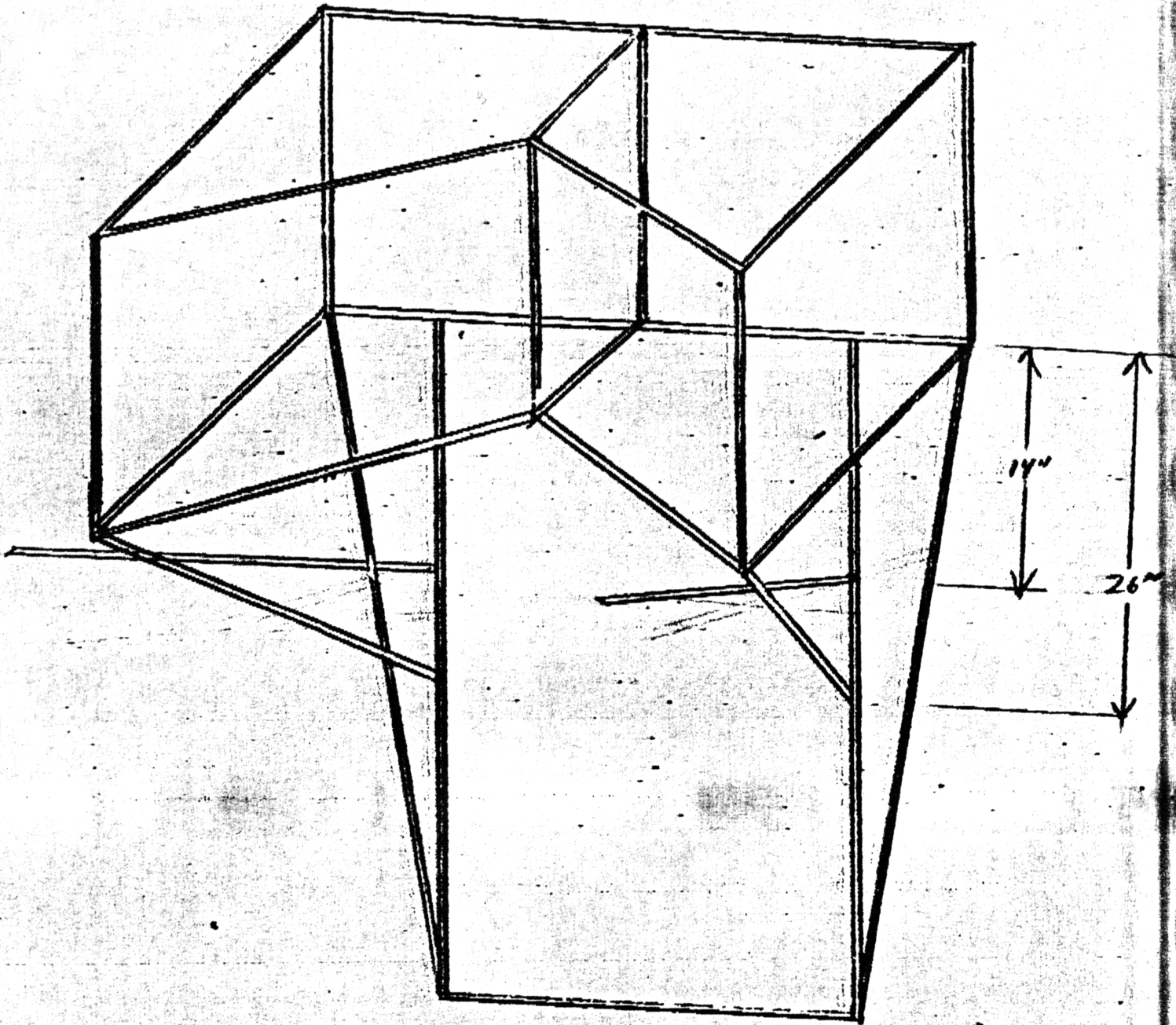


12 METER TELESCOPE
REFERENCE FRAME/PLATE

3/17/82
PER

T0010-18-2

FIG.#4

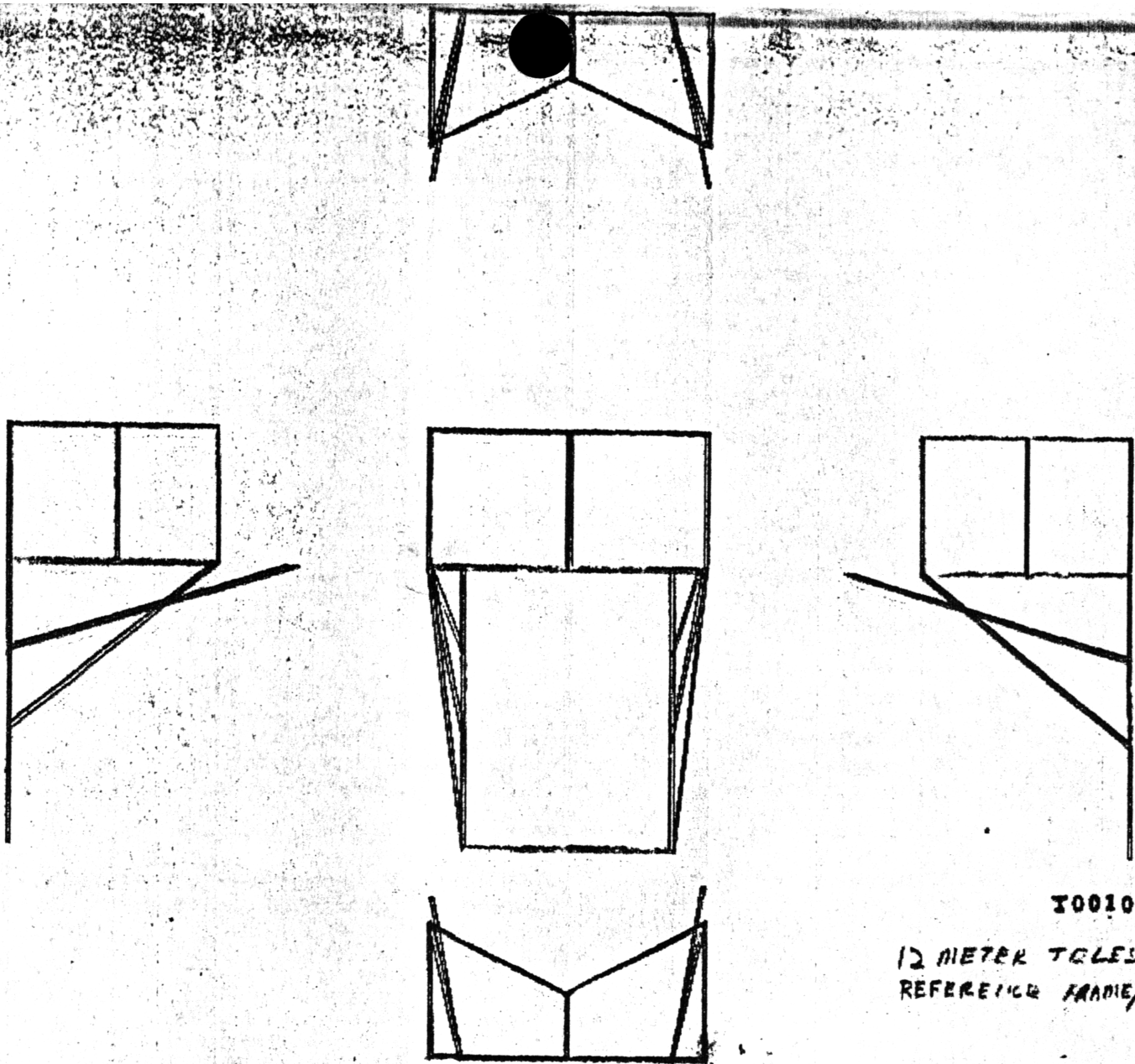


12 METER TELESCOPE
REFERENCE FRAME/PLATE

3/17/82
PER

T0010-18-3

FIG. # 5



T0010-18

12 METER TELESCOPE
REFERENCE FRAME/PLATE
2/17/82
DER

FIG.#6