

NATIONAL RADIO ASTRONOMY OBSERVATORY

VLB. MEMORANDUM #104

March 31, 1977

To: VLBI Users
From: R. Lacasse
Subject: Mark II Timing Generator Change

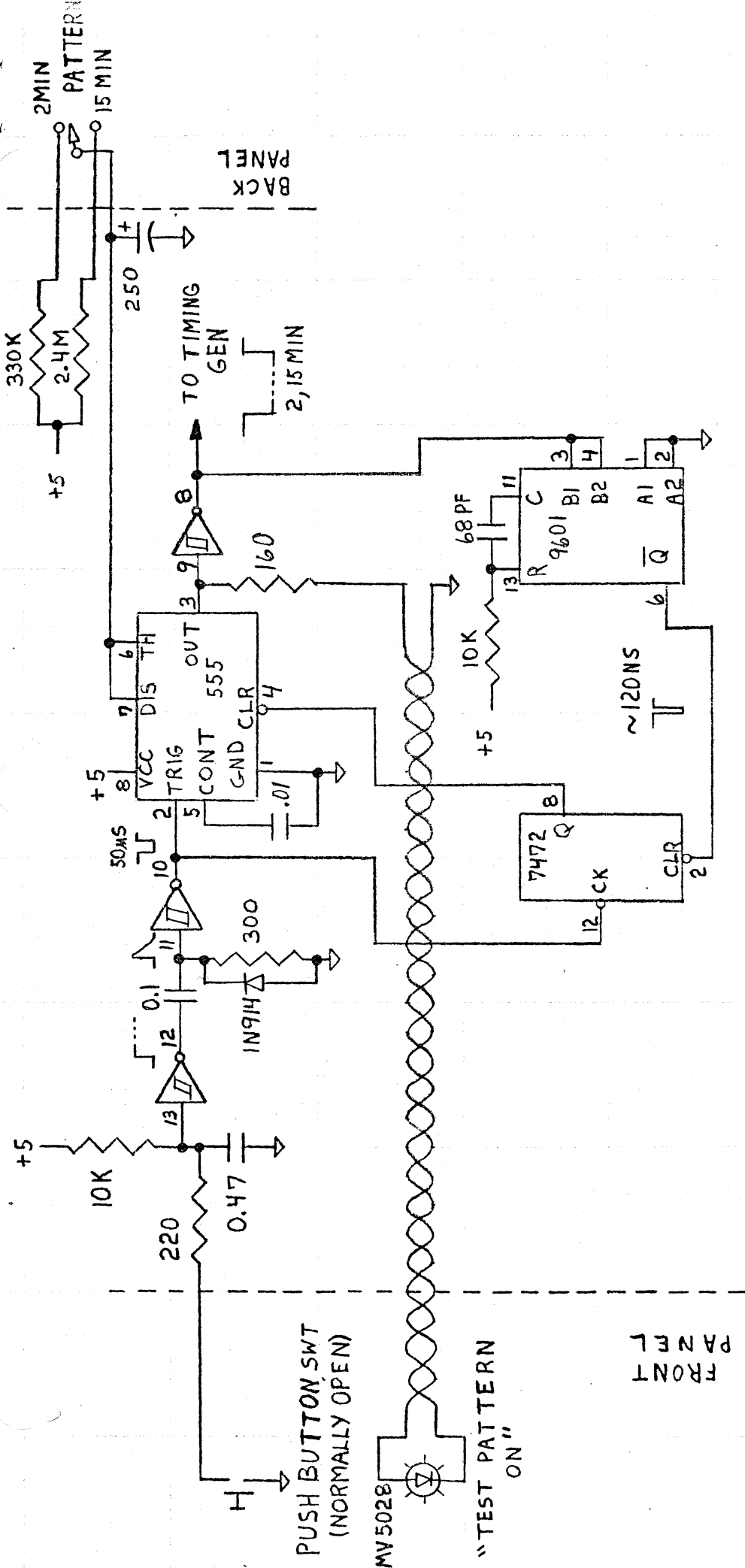
The Mark II timing generator at the Green Bank 140-ft telescope has been modified as follows:

1. A "TEST PATTERN ON" L.E.D. indicator has been added to the front panel. The L.E.D. is ON when the data stream consists of Test Pattern.
2. Depressing and releasing the "PATTERN" push-button will now generate a timed interval of Test Pattern. This interval is selectable between 2 and 15 minutes by a switch on the rear panel. Depressing and releasing the "PATTERN" push-button while pattern is on will turn off the pattern immediately. This feature is useful to get less than 2 minutes of pattern or to turn off the pattern if it has accidentally been turned on.

A schematic showing the electronics involved in this modification is attached.

RJL/cjd

Enclosure



NOTE: UNLESS OTHERWISE SPECIFIED, ALL RESISTORS ARE IN OHMS, ± 5%,
 ALL CAPACITORS IN μF, ± 10%, AND ALL SCHMITT TRIGGERS ARE
 7414